

WET VACUUM ILLUSTRATED PARTS LIST

SAVE THIS MANUAL FOR FUTURE REFERENCE

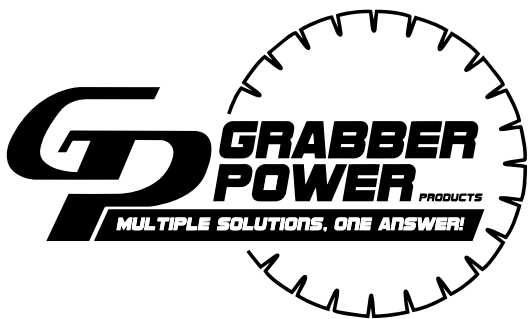
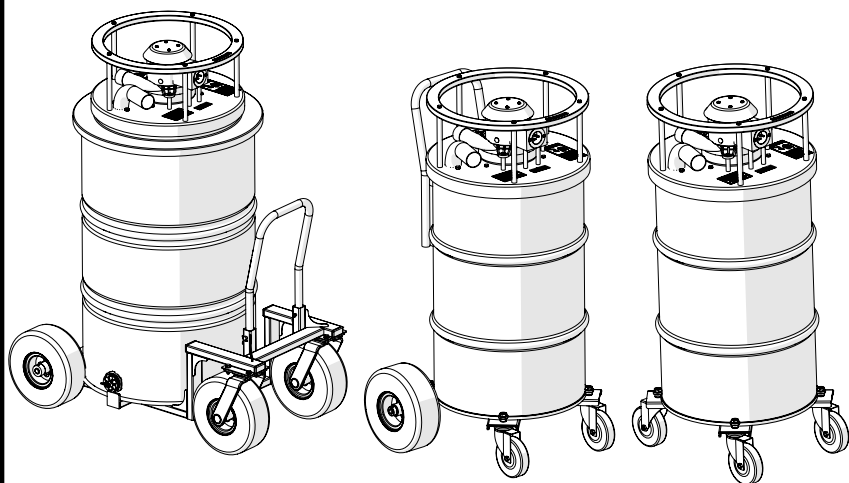


TABLE OF CONTENTS

STANDARD WET VACUUM TOOLING.....3

WET VACUUM MODELS.....4-5
 K-1 VACUUM ASSEMBLY..... 4
 K-12 VACUUM ASSEMBLY..... 4
 K-15 VACUUM ASSEMBLY..... 5

K-3 WET VACUUM HEAD.....6-7
 K-3 WET VACUUM HEAD DRAWING..... 6
 K-3 WET VACUUM HEAD PARTS LIST..... 7

K-13 VACUUM MOTOR ASSEMBLY.....8-9
 K-13 VACUUM MOTOR ASSEMBLY DRAWING..... 8
 K-13 VACUUM MOTOR ASSEMBLY PARTS LIST..... 9

K-4 BARREL ASSEMBLY..... 10-11
 K-4/K-400 BARREL ASSEMBLY DRAWING..... 10
 K-4/K-400 BARREL ASSEMBLY PARTS LIST..... 11

K-41 BARREL ASSEMBLY..... 12-13
 K-41/K-40 BARREL ASSEMBLY DRAWING..... 12
 K-41/K-40 BARREL ASSEMBLY PARTS LIST..... 13

55 GALLON VACUUM CART & DRUM ASSEMBLY.....14-15
 55 GALLON CART & DRUM ASSEMBLY DRAWING..... 14
 55 GALLON CART & DRUM ASSEMBLY PARTS LIST.....15

55 GALLON VACUUM CART ASSEMBLY PARTS LIST..... 16-17
 55 GALLON DRUM CART DRAWING..... 16
 55 GALLON DRUM CART PARTS LIST..... 17

ADDITIONAL WET VACUUM KITS..... 18

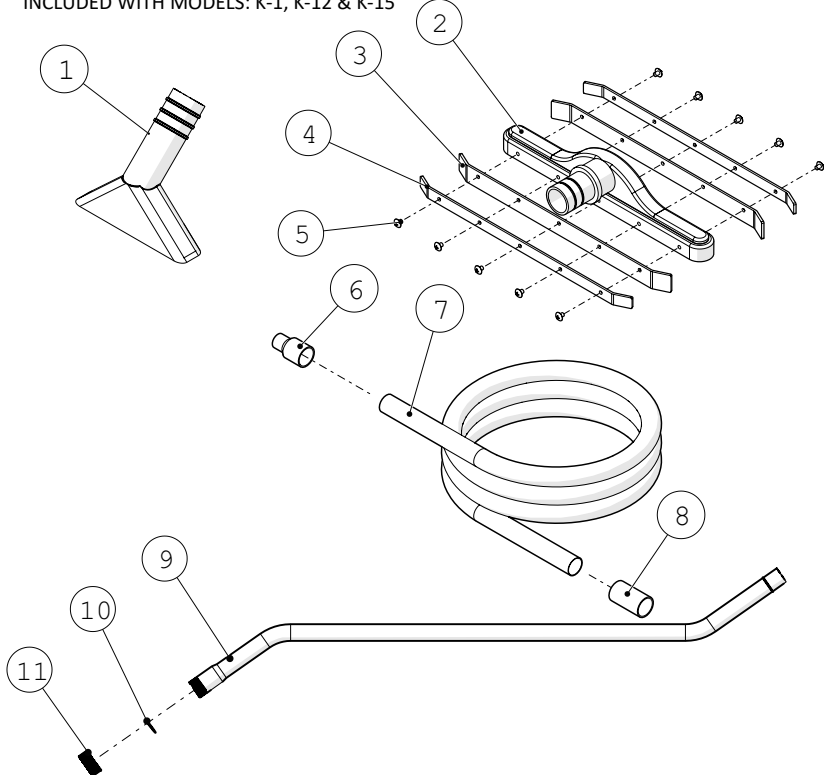
ADDITIONAL WET VACUUM TOOLING..... 18-20
 18" COMBO FLOOR TOOL..... 18
 20" COMBO FLOOR TOOL..... 19
 2" WAND..... 19
 2" VACUUM HOSE..... 19
 HOSE CUFFS..... 19-20

THANK YOU

From all of the Grabber Power Staff, we would like to say thank you for choosing our vacuums. We hope we can continue serving you and your business needs and we look forward to working with you for years to come!

STANDARD WET VACUUM TOOLING

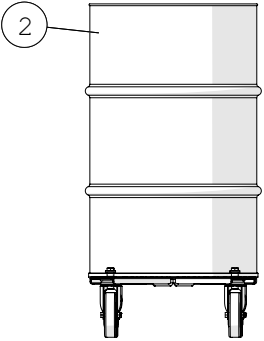
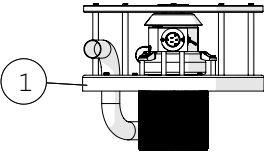
INCLUDED WITH MODELS: K-1, K-12 & K-15



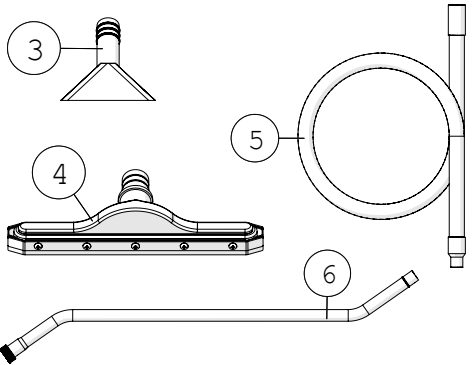
ITEM NO.	PART NO.	DESCRIPTION	QTY.
1	WVTL300	ALUMINUM UTILITY TOOL	1
2	WVTL190	SQUEEGEE FLOOR TOOL	1
3	WVTL191	SQUEEGEE BLADES	1 SET OF 4
4	WVWWR196	SQUEEGEE ALUMINUM STRIP	1
5	WVTL192	SCREWS, FLOOR TOOL	1
6	WVACC145	HOSE CUFF, 1.50" SWIVEL	1
7	WVH129	VACUUM HOSE, 1.50" X 15.00'	1
8	WVACC144	HOSE CUFF, 1.50" X 2" INLET	1
9	WVACC140	WAND, 1.50"	1
10	WVWWR195	WAND COUPLING RING	1
11	WVWWR194	WAND COUPLING NUT	1

WET VACUUM MODELS

K-1 VACUUM ASSEMBLY

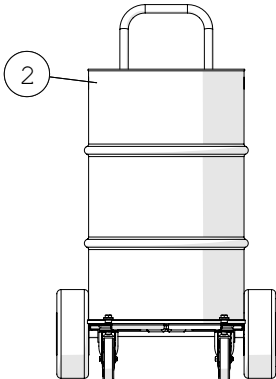
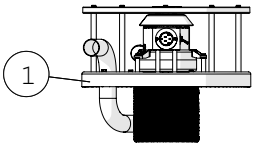


ITEM NO.	DESCRIPTION	QTY.
1	K-3: VACUUM HEAD	1
2	K-4: 30 GALLON CONTAINER WITH 4 CASTERS	1
3	ALUMINUM UTILITY TOOL	1
4	SQUEEGEE FLOOR TOOL	1
5	K-11: 1.50" DIA. X 15.00" HOSE WITH CUFFS	1
6	1.50" WAND	1

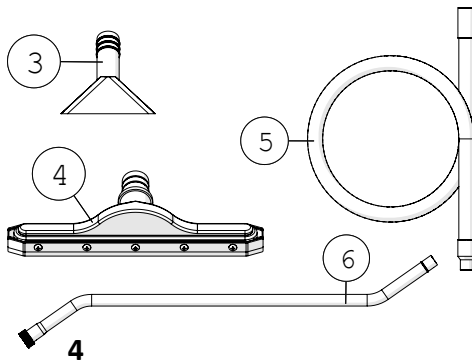


WET VACUUM MODELS

K-12 VACUUM ASSEMBLY

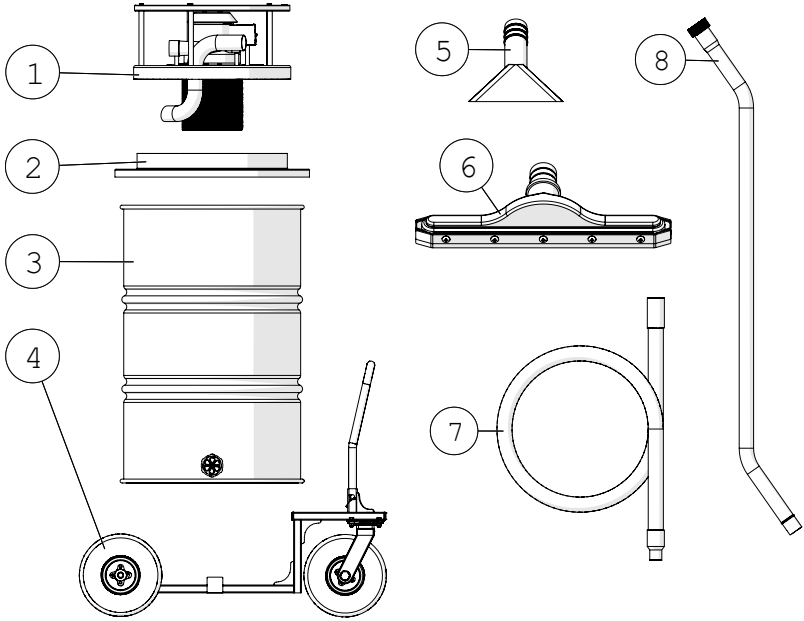


ITEM NO.	DESCRIPTION	QTY.
1	K-3: VACUUM HEAD	1
2	K-41: 30 GALLON CONTAINER WITH LARGE WHEELS & HANDLE	1
3	ALUMINUM UTILITY TOOL	1
4	SQUEEGEE FLOOR TOOL	1
5	K-11: 1.50" DIA. X 15.00" HOSE WITH CUFFS	1
6	1.50" WAND	1



WET VACUUM MODELS

K-15 VACUUM ASSEMBLY

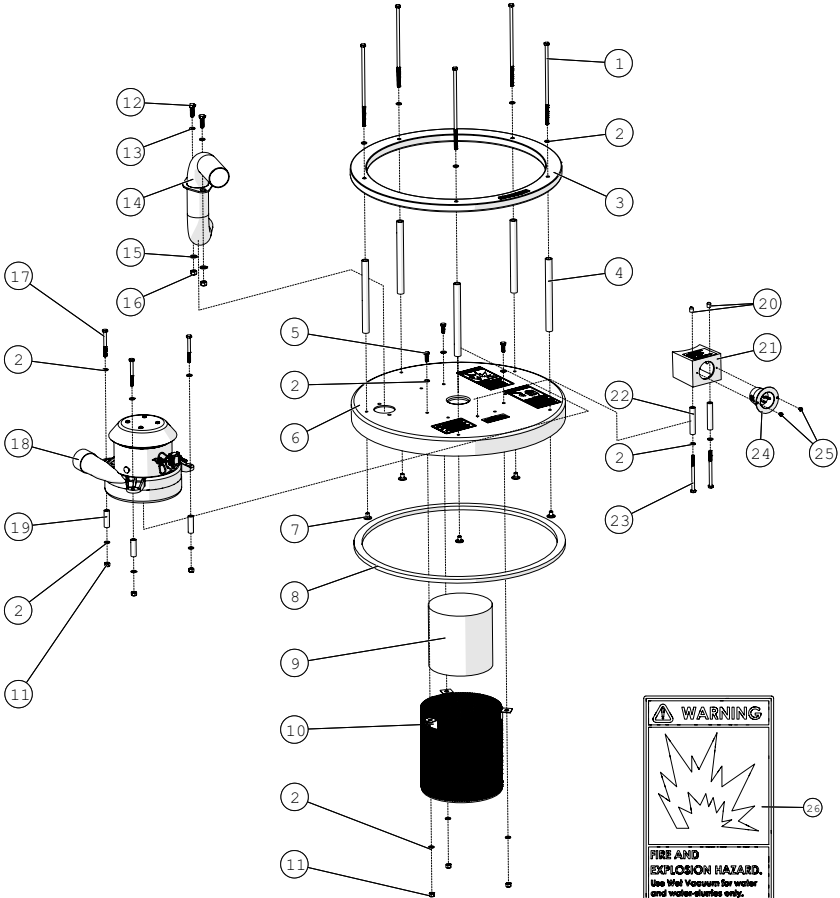


ITEM NO.	DESCRIPTION	QTY.
1	K-3: VACUUM HEAD	1
2	55 GALLON ADAPTER RING	1
3	55 GALLON CONTAINER	1
4	55 GALLON VACUUM CART ASSEMBLY	1
5	ALUMINUM UTILITY TOOL	1
6	SQUEEGEE FLOOR TOOL	1
7	K-11: 1.50" DIA. X 15.00" HOSE WITH CUFFS	1
8	1.50" WAND	1

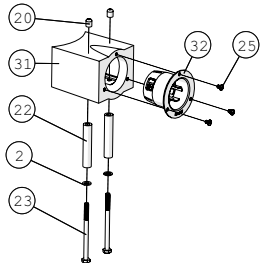
EACH MODEL VACUUM (K-1, K-12 & K-15) ALL COME COMPLETE WITH TOOLS. FOR MORE DETAILS ON THE TOOLING THAT COMES WITH EACH MODEL, PLEASE SEE PAGE 3. FOR ADDITIONAL TOOLING OPTIONS, PLEASE REFER TO PAGES 17-19.

FOR A COMPLETE PARTS BREAKDOWN PER MODEL, PLEASE REFER TO PAGES 6-15.

K-3 WET VACUUM HEAD



OPTIONAL 20 AMP TWIST LOCK CONNECTOR ASSEMBLY



WARNING

FIRE AND EXPLOSION HAZARD.
Use Wet Vacuums for water and liquid-lubricated units. Do not use for oil and flammable liquids. Sparks from motor can ignite flammable vapors, causing fire or explosion. Read and understand instructions before use.

CAUTION
REMOVE VACUUM HEAD FROM DRIVE AND ALLOW DRIVE TO DRY OUT TO PREVENT DAMAGE FROM DEVELOPING BY LOWEST BEARING

CAUTION
DO NOT MISMATCH TO GROUNDED OUTLET
VOLTS 115
AMPS 13.5
GRABBER POWER PRODUCTS
TEMPLE, AZ 85140

ATTENTION
IF MOTOR FAILS FOR ANY REASON CONTACT GRABBER POWER. DO NOT TRY TO REPAIR OR DISASSEMBLE.

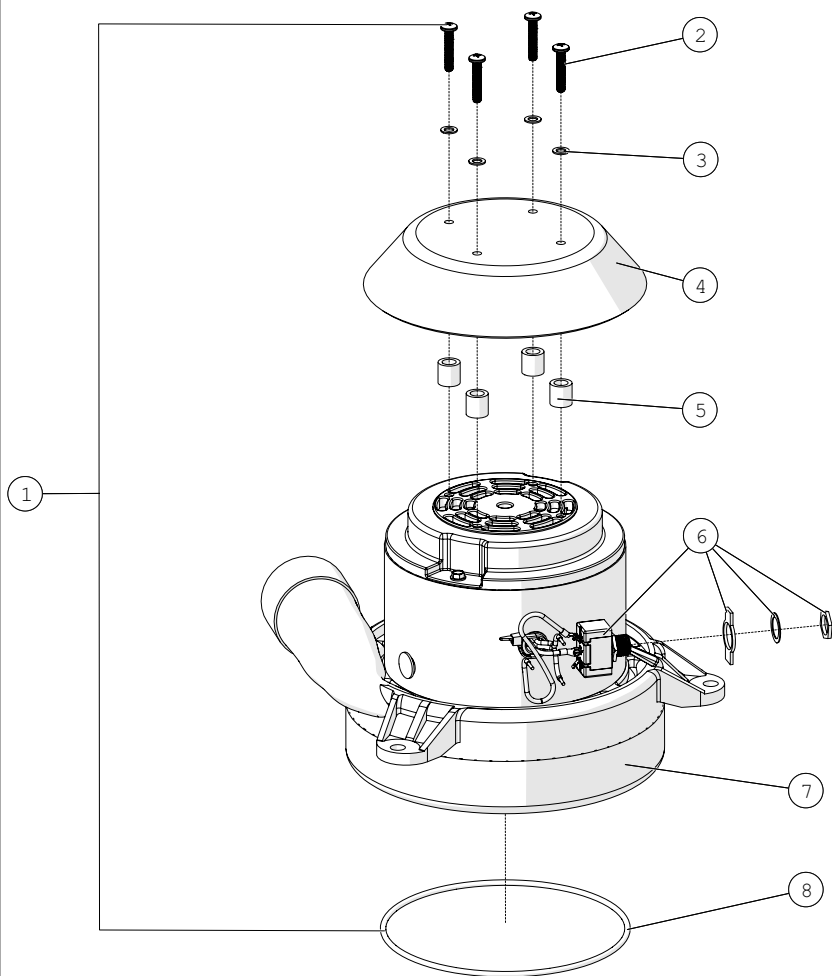
WARNING

ELECTRIC SHOCK HAZARD. This unit must be electrically grounded.
• The power cord is equipped with a 3 prong grounding plug. Use only with a properly fitted receptacle.
• Be sure all of the grounding plug is inserted into the outlet.
• Do not use an extension cord, do not use a power strip.
• Do not remove the ground end of the power cord.
Read and understand instructions before use.

K-3 WET VACUUM HEAD PARTS LIST

ITEM NO.	PART NO.	DESCRIPTION	QTY.
1	WVB14	BOLTS, PROTECTION RING 1/4"-20 X 8.00"	5
2	WVW34	1/4" AN FLAT WASHER	19
3	WVR04	PROTECTION RING	1
4	WVP244	POSTS, PROTECTION RING	5
5	WVB21	BOLTS, RETAINER SCREEN, 1/4"-20 X 1.00"	3
6	WVL01	BASE LID	1
7	WVTN03	T-NUT	5
8	WVG02	BASE LID GASKET	1
9	WVF09	FOAM FLOAT	1
10	WVFS08	RETAINER SCREEN	1
11	WVN36	NUTS, WET VACUUM 1/4"-20	6
12	WVNB15	BOLTS, INLET TUBE, 5/16"-18 X 1.00"	2
13	WVW55	WASHER, INLET TUBE SMALL	2
14	WV135	2" INLET TUBE	1
15	WVW54	WASHER, INLET TUBE LARGE, 5/16"	2
16	WVN45	NUTS, INLET TUBE	2
17	WVB16	BOLTS, MOTOR MOUNT 1/4"20 X 2-1/2"	3
18	K-13	WET VACUUM MOTOR ASSEMBLY	1
19	WVP46	POST, MOTOR MOUNT	3
20	WVB203	BOLT COVER, ELECTRIC BOX	2
21	WVEB05	ELECTRIC BOX	1
22	WVP43	POSTS, ELECTRIC BOX	2
23	WVB13	BOLTS, ELECTRIC BOX 1/4"-20 X 3-1/2"	2
24	WVPL07	RECESSED ELECTRIC PLUG	1
25	WVSC17	ELECTRIC PLUG SCREWS #8-32 X 1/4"	2 or 3
26	WVN25	FIRE/EXPLOSION HAZARD STICKER	1
27	WVN24	ELECTRIC SHOCK HAZARD STICKER	1
28	WVN23	NAME PLATE, CAUTION	1
29	WVN22	NAME PLATE, SERIAL NUMBER	1
30	N/A	ATTENTION LABEL	1
31	WVEB06	ELECTRIC BOX, 20 AMP TWIST LOCK	1
32	WVPL08	20 AMP RECESSED ELECTRIC PLUG TWIST LOCK	1

K-13 VACUUM MOTOR ASSEMBLY

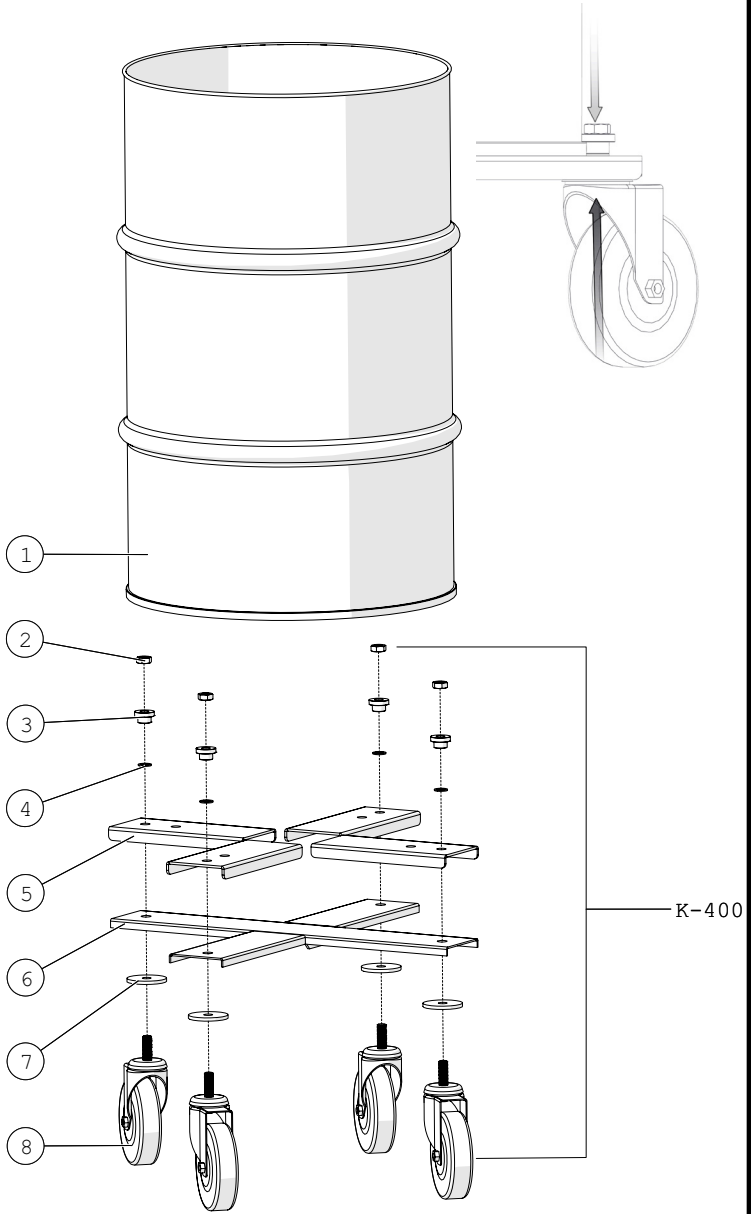


K-13 VACUUM MOTOR ASSEMBLY PARTS LIST

ITEM NO.	PART NO.	DESCRIPTION	QTY.
1	K-13	WET VACUUM MOTOR ASSEMBLY	1
2	WVB20	BOLTS, MOTOR COVER 10-24 X 1.00"	4
3	WVW64	WASHERS, MOTOR COVER, #10 AN	4
4	WVMC200	MOTOR COVER	1
5	WVS01	NYLON SPACER	4
6	WVTS18	TOGGLE SWITCH WITH FACE PLATE	1
7	N/A	WET VACUUM MOTOR, SOLD AS K-13 KIT ONLY	1
8	WVO11	O-RING MOTOR SEAL	1

K-4 BARREL ASSEMBLY

30 GALLON BARREL WITH 4 CASTERS (VACUUM MODEL K-1)



K-4 BARREL ASSEMBLY PARTS LIST

ITEM NO.	PART NO.	DESCRIPTION	QTY.
1	WVBL102	30 GALLON DRUM	1
2	WVN50	JAM NUT, CASTER 1/2"-13	4
3	WVB157	VACUUM BASE STEP BUSHING	4
4	WVW63	VACUUM BASE WASHER	4
5	WVF38	CROSS BASE SUPPORT FLANGE	4
6	WVBS52	VACUUM CROSS BASE	1
7	WVW67	WASHER, CASTER SPACER	4
8	WVC110	5" CASTER	4

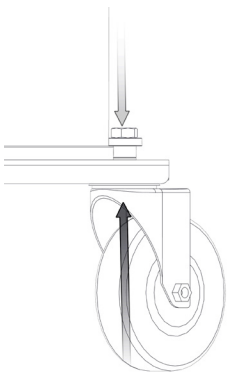
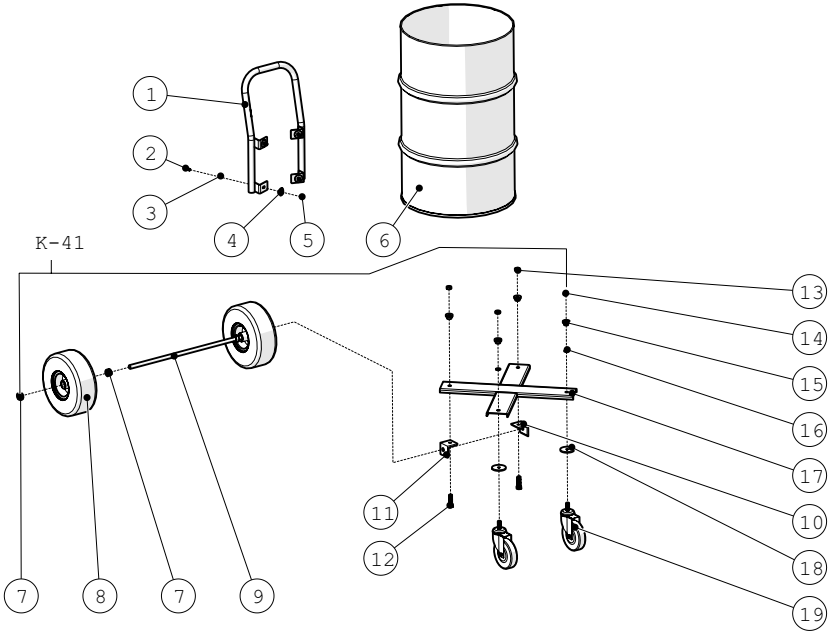
K-400 BARREL BASE ASSEMBLY PARTS LIST

ITEM NO.	PART NO.	DESCRIPTION	QTY.
2	WVN50	JAM NUT, CASTER 1/2"-13	4
3	WVB157	VACUUM BASE STEP BUSHING	4
4	WVW63	VACUUM BASE WASHER	4
5	WVF38	CROSS BASE SUPPORT FLANGE	4
6	WVBS52	VACUUM CROSS BASE	1
7	WVW67	WASHER, CASTER SPACER	4
8	WVC110	5" CASTER	4

NOTE: ITEM NO. 4 MAY VARY ON QUANTITY BASED ON MODEL AND/OR THE FLANGE HEIGHT ON THE 30 GALLON BARREL. SEE PAGE 10 FOR DETAILS.

K-41 BARREL ASSEMBLY

30 GALLON BARREL WITH CASTERS, LARGE WHEELS & HANDLE
(VACUUM MODEL K-12)



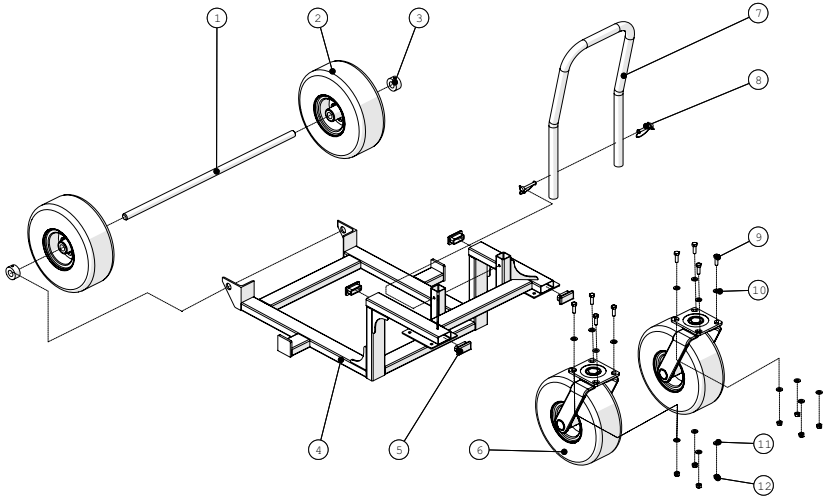
K-41 BARREL ASSEMBLY PARTS LIST

ITEM NO.	PART NO.	DESCRIPTION	QTY.
1	K-14	HANDLE WITH BRACKETS	1
2	WVB19	BOLTS, HANDLE 1/4"-20 X 1.00"	4
3	WVW61	WASHER, HANDLE 1/4" AN	4
4	WVW62	WASHER, HANDLE FENDER	4
5	WVN49	NUT, HANDLE 1/4"-20	4
6	WVBL102	30 GALLON DRUM	1

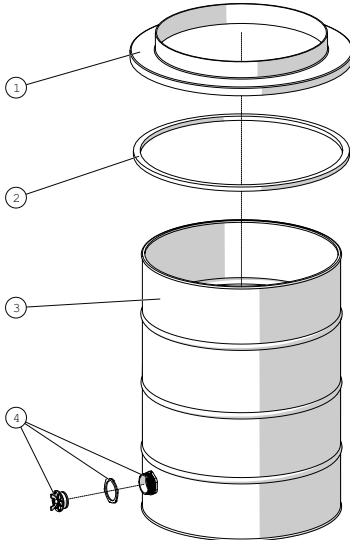
K-40 BARREL BASE ASSEMBLY PARTS LIST

7	WVSC	LOCK COLLAR	4
8	WVC115	LARGE WHEEL	2
9	WVAX	AXLE, 30 GALLON	1
10	WVAXMBL	AXLE BRACKET, LEFT	1
11	WVAXMB	AXLE BRACKET, RIGHT	1
12	WVB18	BOLTS, AXLE 1/2"-13 X 1-3/4"	2
13	WVN48	NUT, CASTER 1/2"-13	2
14	WVN50	JAM NUT, CASTER 1/2"-13	2
15	WVB157	VACUUM BASE STEP BUSHING	4
16	WVW63	VACUUM BASE WASHER	4
17	WVBS52	VACUUM CROSS BASE	1
18	WVW67	WASHER, CASTER SPACER	2
19	WVC110	CASTER, 5"	2

55 GALLON VACUUM CART ASSEMBLY



55 GALLON BARREL ASSEMBLY



55 GALLON VACUUM CART ASSEMBLY PARTS LIST

ITEM NO.	PART NO.	DESCRIPTION	QTY.
1	WVAX21	AXLE, 55 GALLON CART	1
2	WVC115	LARGE WHEELS	2
3	WVSC28	SET COLLAR, 55 GALLON CART	2
4	WVDC35	FRAME, 55 GALLON CART	1
5	WVC31	END CAPS	4
6	WVC155	LARGE SWIVEL WHEELS	2
7	WVH29	HANDLE, 55 GALLON CART	1
8	WVH30	HANDLE, PIVOT PIN	2
9	WVB15	BOLTS, 55 GALLON CART	8
10	WVW55	WASHER, 55 GALLON CART SMALL	8
11	WVW54	WASHER, 55 GALLON CART LARGE	8
12	WVN45	NUT, 55 GALLON CART	8

55 GALLON BARREL ASSEMBLY PARTS LIST

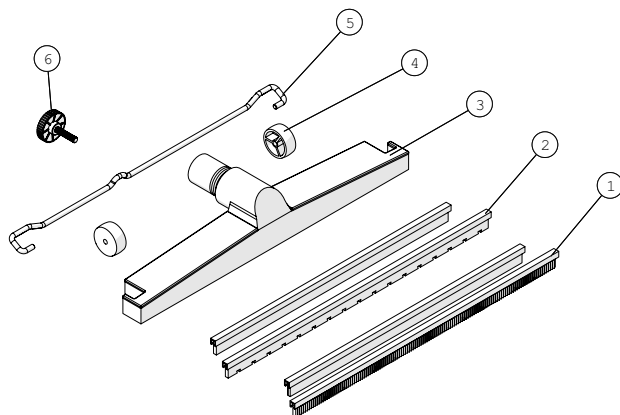
ITEM NO.	PART NO.	DESCRIPTION	QTY.
1	WVAR06	55 GALLON ADAPTER RING	1
2	WVAR066	ADAPTER RING GASKET	1
3	WVBL100	55 GALLON BARREL	1
4	WVDP1966	DRAIN PLUG ASSEMBLY	1

ADDITIONAL WET VACUUM KITS

PART NO.	DESCRIPTION	TOOL KIT
K-1	30 GALLON WET VACUUM WITH 4 CASTER & VAC HEAD	YES
K-12	30 GALLON WET VACUUM HAND CART WITH VAC HEAD	YES
K-15	55 GALLON WET VACUUM COMPLETE WITH VAC HEAD	YES
K-3	WET VACUUM HEAD	NO
K-31	WET VACUUM HEAD WITH TOOLS	YES
K-32	WET VACUUM HEAD WITH TOOLS & ADAPTER RING	YES
K-13	WET VACUUM MOTOR ASSEMBLY WITH SWITCH	NO
K-11	1.50" X 15' VACUUM HOSE WITH HOSE CUFFS	NO
K-4	30 GALLON DRUM WITH 4 CASTERS	NO
K-40	BARREL BASE ASSEMBLY, LARGE WHEELS & CASTERS	NO
K-41	30 GALLON DRUM WITH LARGE WHEELS & HANDLE	NO
K-400	BARREL BASE ASSEMBLY, 4 CASTERS	NO
K-14	30 GALLON VACUUM HANDLE WITH BRACKETS	NO

ADDITIONAL WET VACUUM TOOLING

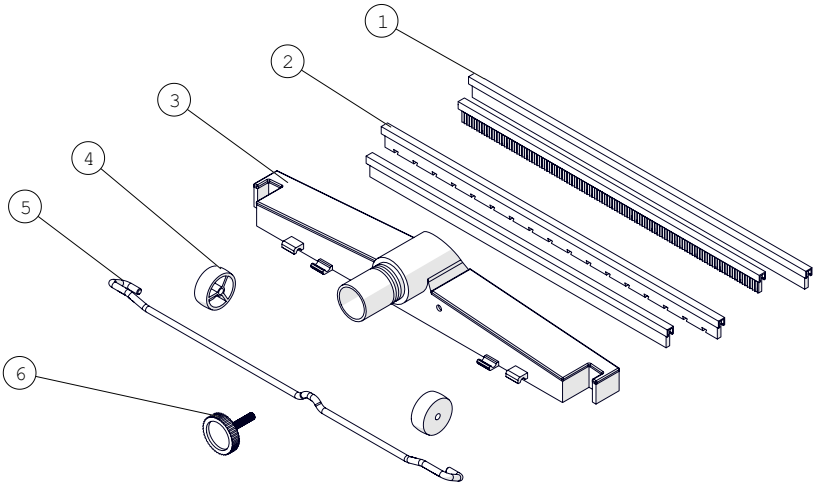
18" COMBO FLOOR TOOL: FOR USE WITH 1.50" WAND & HOSE



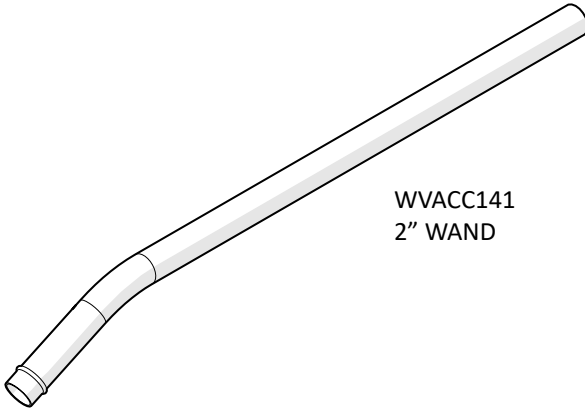
ITEM NO.	PART NO.	DESCRIPTION	QTY.
1	WVTL303	18" COMBO FLOOR TOOL SQUEEGEE BLADES	2
2	WVTL304	18" COMBO FLOOR TOOL BRUSHES	2
3	WVTL299	18" COMBO FLOOR TOOL COMPLETE	1
4	WVTL302	18" WHEEL COMBO FLOOR TOOL	2
5	WVTL306	18" COMBO FLOOR TOOL STIRRUP	1
6	WVTL293	18" COMBO FLOOR TOOL BLACK KNOB	1

ADDITIONAL WET VACUUM TOOLING

20" COMBO FLOOR TOOL: FOR USE WITH 2.00" WAND & HOSE

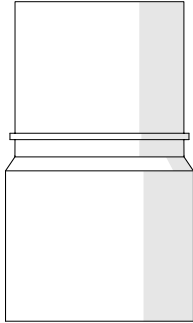


ITEM NO.	PART NO.	DESCRIPTION	QTY.
1	WVTL291	20" COMBO FLOOR TOOL SQUEEGEE BLADES	2
2	WVTL290	20" COMBO FLOOR TOOL BRUSHES	2
3	WVTL301	20" COMBO FLOOR TOOL COMPLETE	1
4	WVTL302	20" WHEEL COMBO FLOOR TOOL	2
5	WVTL292	20" COMBO FLOOR TOOL STIRRUP	1
6	WVTL293	20" COMBO FLOOR TOOL BLACK KNOB	1

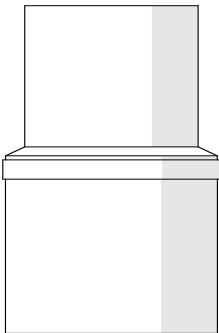


WVACC141
2" WAND

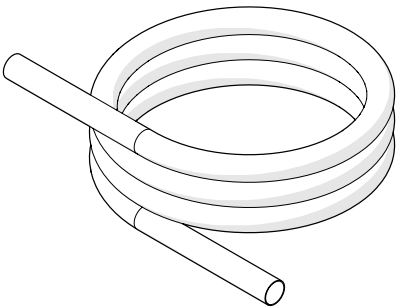
ADDITIONAL WET VACUUM TOOLING



WVACC154
HOSE CUFF 2" TO 2" TOOL



WVACC143
2" SWIVEL CUFF

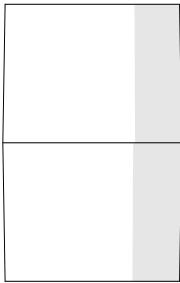


WVH134
2" X 50' VACUUM HOSE

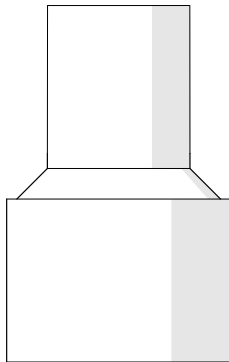
ADDITIONAL WET VACUUM TOOLING



WVACC151
2" HOSE CONNECTOR



WVACC150
1.50" HOSE CONNECTOR



WVACC153
2" HOSE CUFF TO 1.50" TOOL

TOLL FREE: 1-855-472-2237

LOCAL: 480-967-2545

FAX:480-967-2748

226 South Price Road. Tempe, AZ 85281

www.grabberpower.com